

**HICKMAN**<sup>7</sup>  
EDGE SYSTEMS

**Continuous Cleat**

# Installation Guide for Continuous Cleat

4 COMMERCE WAY, ARDEN, NC 28704

(828) 676-1700

[HICKMANEDGESYSTEMS.COM](http://HICKMANEDGESYSTEMS.COM)

**HICKMAN**<sup>7</sup>  
EDGE SYSTEMS

# Installation Guide for Continuous Cleat & Continuous Cleat Plus Coping

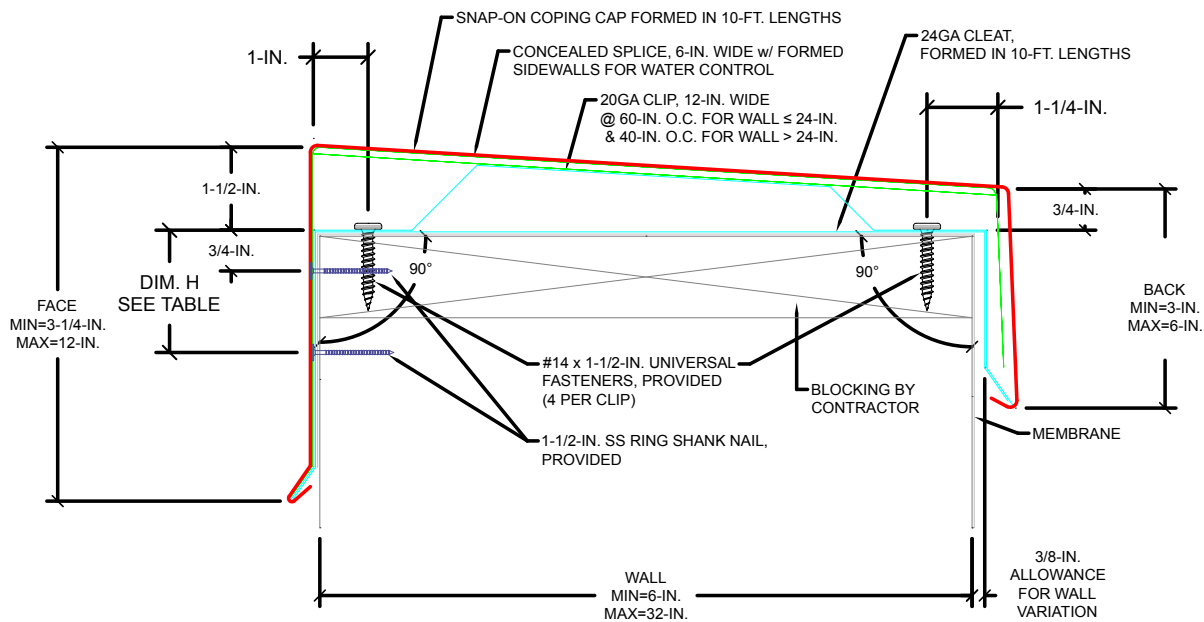
ANSI/SPRI/FM4435/ES-1 TESTED



## Installation Guide Index

- General Information
- Coping Diagrams
- Straight Parapet Installation
- Radius Parapet Installation
- Vaulted Parapet Installation
- Special Condition Installation

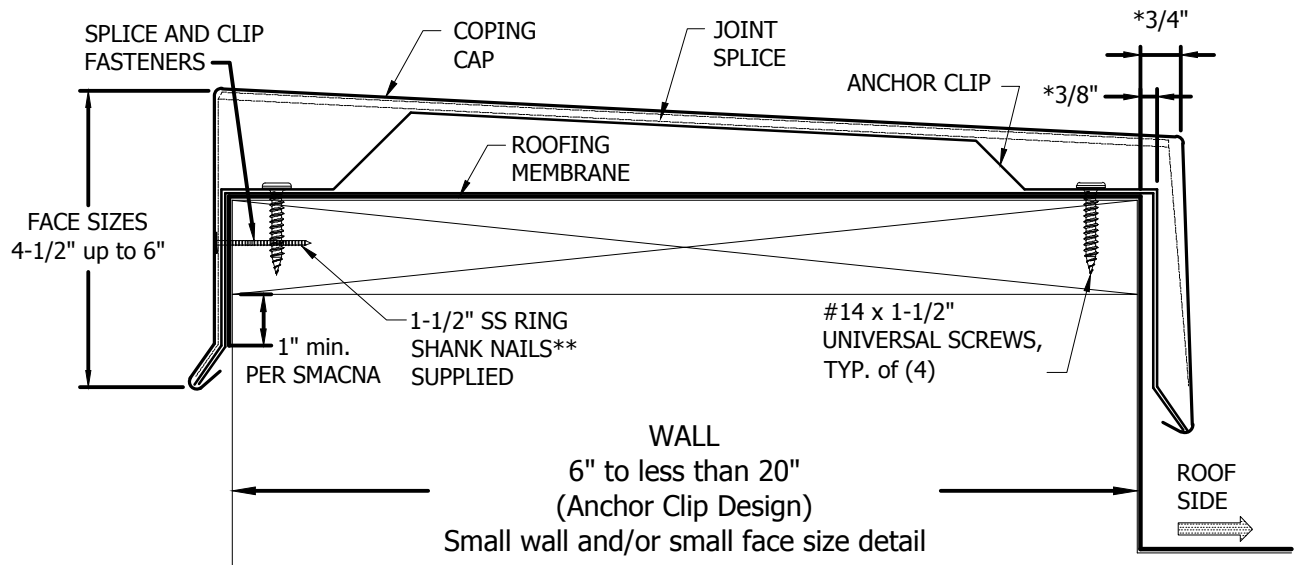
ANSI/SPRI/FM4435/ES-1 TEST PRESSURES UP TO 159 PSF(VERTICAL) , AND 91 PSF (HORIZONTAL)



**NOTES:**

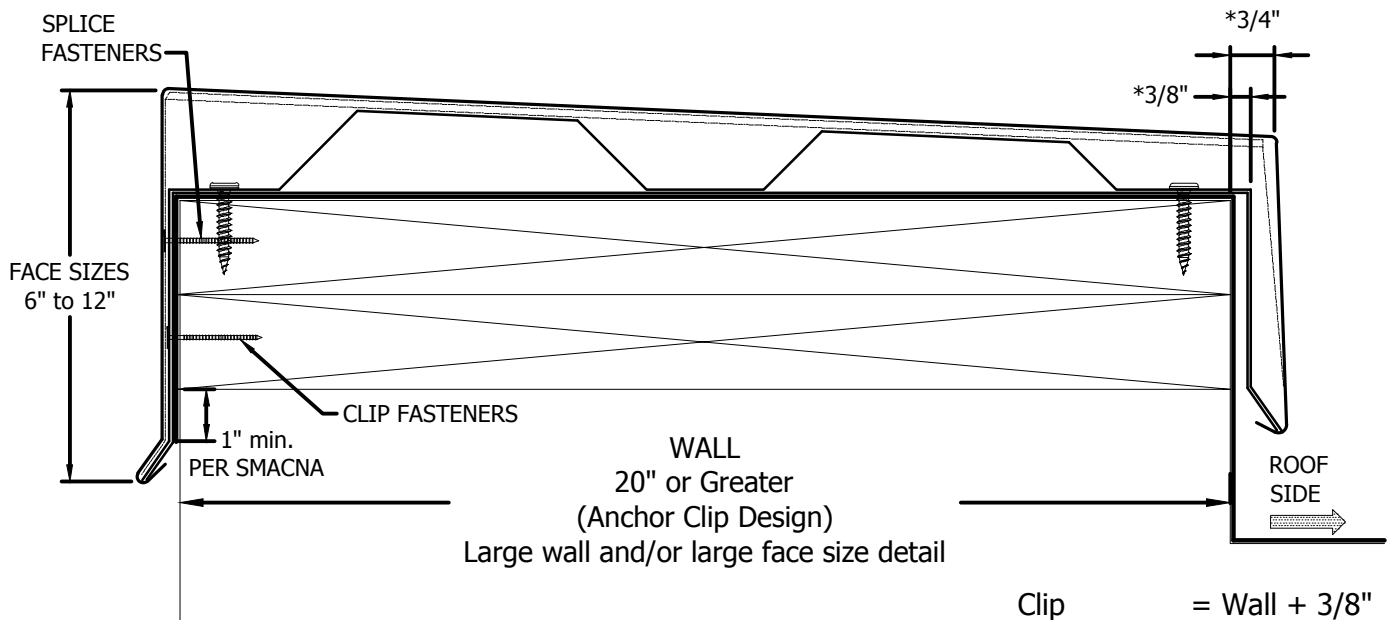
- #1 - Isolate all metal parts from ACQ treated wood or other galvanically incompatible material with appropriate membrane material.
- #2 - Appliance attachments, such as lightning rods, signs, or antennae that penetrate the water seal, induce a galvanic reaction, or otherwise compromise the effectiveness of the roof edge system, shall be eliminated or isolated to prevent problems per section 8.0 of ANSI/SPRI/FM4435/ES-1. Appliances shall be isolated from or not attached to the roof edge system. Consult the lightning protection system manufacturer for specific attachment instructions.

DO NOT USE SEALANT AT JOINT SPLICES



PLACE FASTENERS IN ALL PRE PUNCHED HOLES. REFER TO STEP 1 ON BACK PAGE FOR MORE INFO.

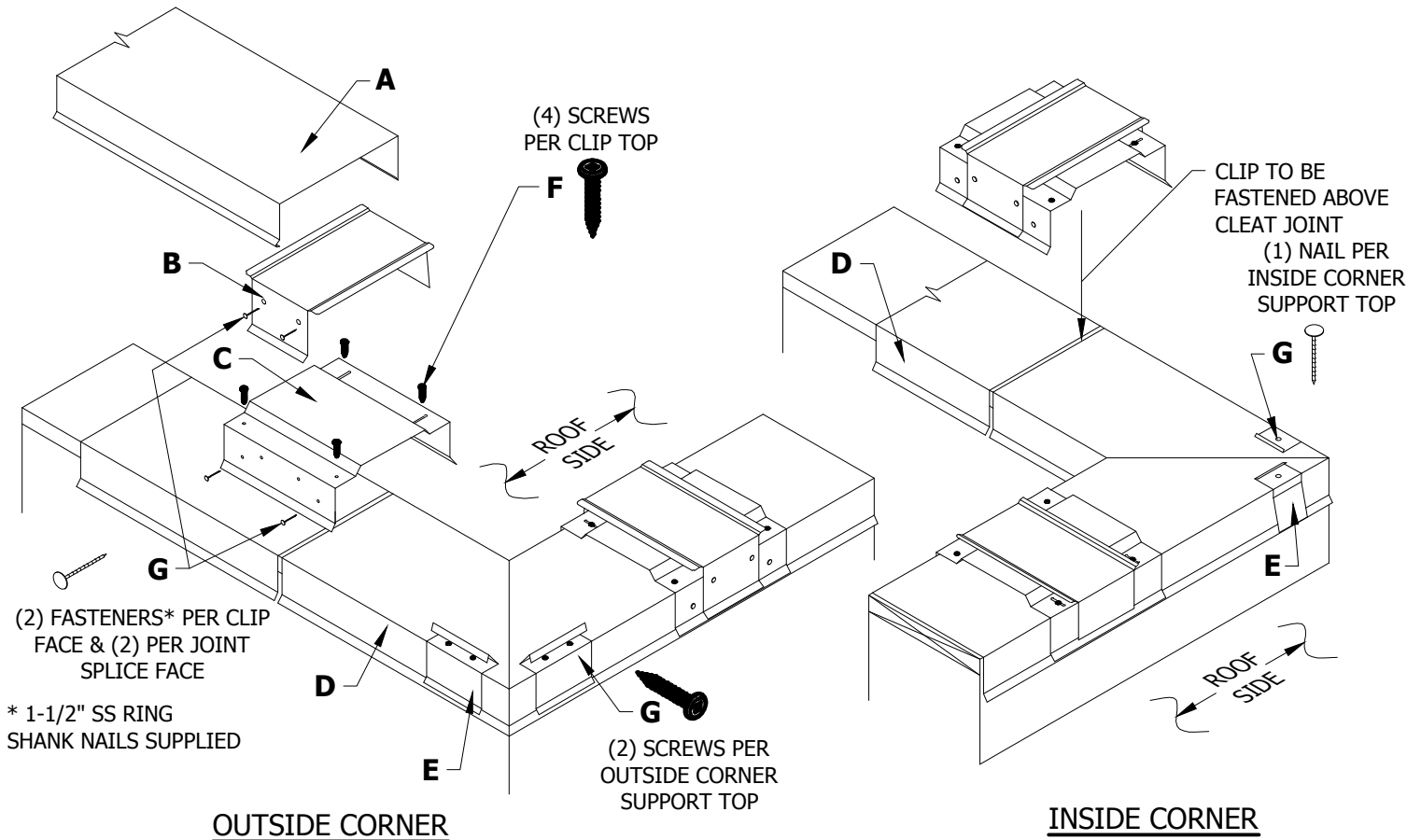
\*\* FOR SUBSTRATES OTHER THAN WOOD, CONTACT US FOR FASTENER RECOMMENDATIONS



Clip = Wall + 3/8"  
 Joint Splice = Wall + 5/8"  
 Cap = Wall + 3/4"  
 \*DIMENSION WILL VARY WITH WALL WIDTH VARIATION

## STRAIGHT PARAPET INSTALLATION

DO NOT USE SEALANT  
AT JOINT SPLICES



**A. Formed Coping Cap**

10'-0" Lengths

**B. 6" Wide Concealed Joint Splice**

One (1) at Each Clip Location

**C. 12" Wide Galv. Anchor Clip**

6" ≤ Wall Width ≤ 24" Install @ 60" O.C.  
24" < Wall Width ≤ 32" Install @ 40" O.C.

**D. Continuous Galv. Cleat**

10'-0" Lengths

**E. Corner Supports (Inside & Outside)**

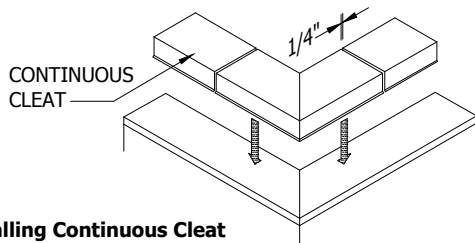
Used to Support Outside and Inside Corners

**F. #14 x 1-1/2" Universal Screws**

Four (4) Per Clip Top  
Two (2) Per Outside Corner Support Top  
(Included & Required)

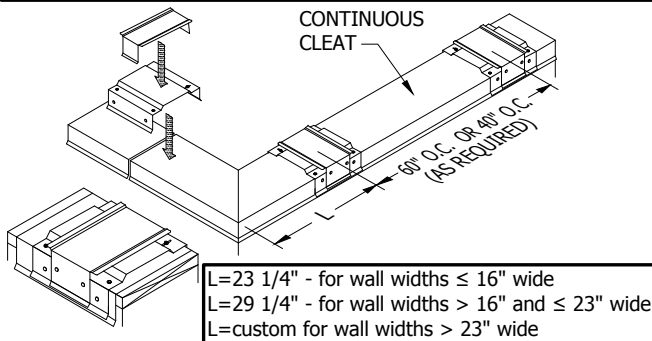
**G. 1-1/2" SS Ring Shank Nails Supplied**

Two (2) Per Clip Face  
Two (2) Per Joint Splice Face  
One (1) Per Inside Corner Support Top  
(Included & Required)



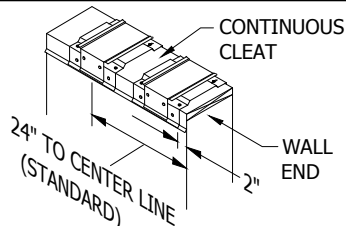
### STEP 1: Installing Continuous Cleat

Place continuous cleat on top of the parapet wall. Make sure that the continuous cleat is pulled snug against the outside face of parapet wall. Continue this process along the whole parapet. Allow a 1/4" gap between cleats.



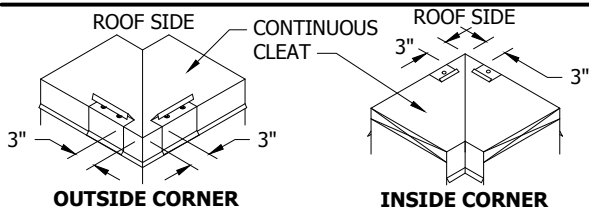
### STEP 2: Installing Anchor Clips at Corners & Along the Parapet

Locate anchor clips as shown. Pull clips snugly against the outside face. Place four (4) screw fasteners in the top of the clip. Place two (2) SS ring shank nails in the clip face (outer holes). Position the joint splice over the center of the clip and install as shown using two (2) SS ring shank nails thru aligning holes. Joint splices should be installed at ALL clip locations.



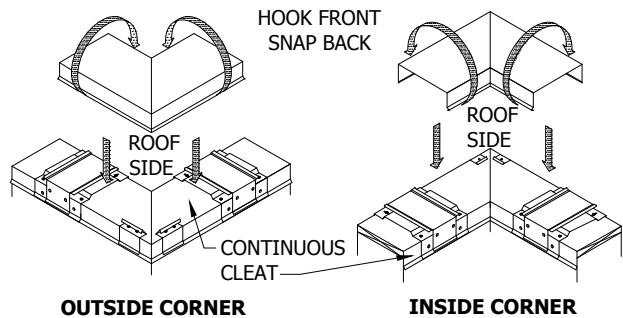
### STEP 3: Installing Anchor Clips at Wall Ends

Install the first anchor clip approximately 2" from the wall end as shown. Install the second anchor clip 24" on center from the wall end. (If end cap leg is other than 24" adjust clip accordingly.)



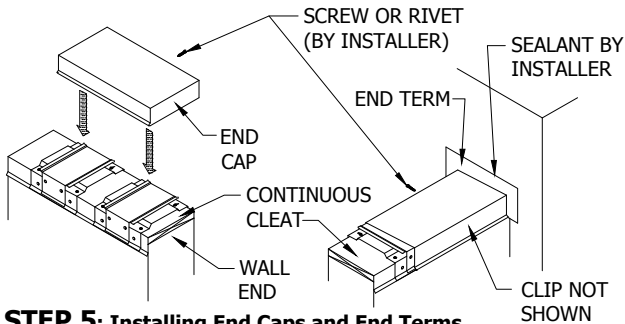
### STEP 3: Installing Corner Support Clips

Two (2) corner support clips are to be placed at all corners to support the cap. Secure outside clips using #14 x 1-1/2" Universal screws and the inside clips using 1-1/2" SS ringshank nails. Set each clip away from the corner approximately 3".



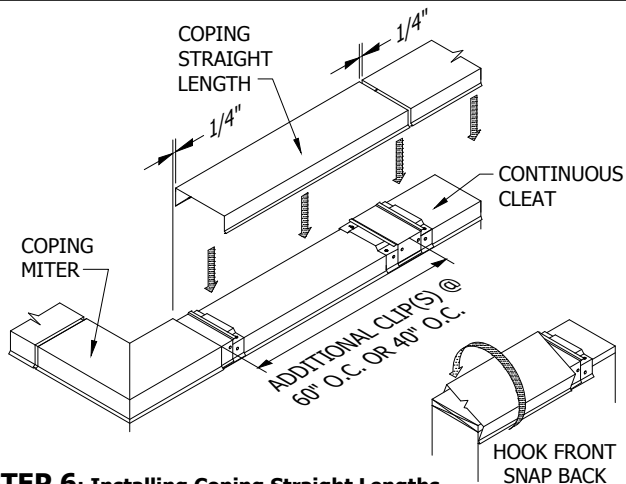
### STEP 4: Installing Coping Miters

Hook the face of the coping miter over the outside face leg of the clips, rotate the coping miter over the top of the clips and snap the roof side leg by pressing down.



### STEP 5: Installing End Caps and End Terms

Install end caps and end terms by hooking face and snapping back into place. End caps must be restrained from moving by securing the end cap to the clip using a stainless steel screw or rivet (by installer) through the roof side leg of the end cap. End terms should be restrained similarly if no fasteners are previously installed in the end term wall flange.

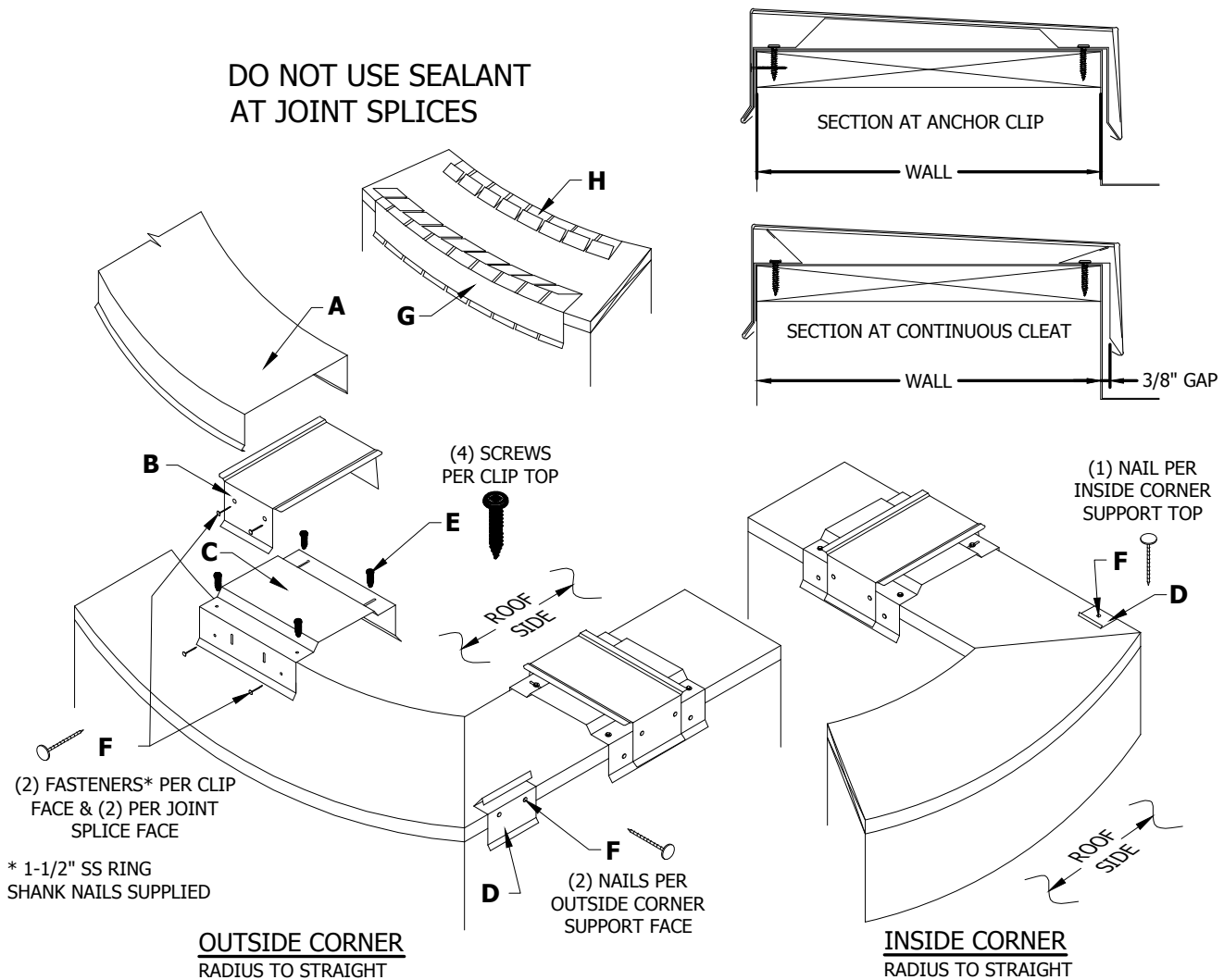


### STEP 6: Installing Coping Straight Lengths

Begin installing from the corners and ends working inward to the center. Allow a 1/4" gap between the coping sections for thermal expansion. Lengths of all straight pieces should be considered prior to cutting to avoid creating relatively short sections of cap adjacent to full length sections. There should be an anchor clip and joint splice at least every 60" O.C. (40" O.C. when wall is >24" wide) and at every joint. Every fifth 10-foot section of coping should be secured to the clip using a single stainless steel screw or rivet (same procedure as STEP 5) to isolate movement within a containment zone.

## RADIUS PARAPET INSTALLATION

**DO NOT USE SEALANT  
AT JOINT SPLICES**



**A. Radius Coping Cap**

60" Lengths Typ. (Lengths May Vary)

**B. 6" Wide Concealed Joint Splice**

One (1) at Each Clip Location

**C. 12" or 6" Wide Galv. Steel Anchor Clip**

6" ≤ Wall Width ≤ 24" Install @ 60" O.C.  
24" < Wall Width ≤ 32" Install @ 40" O.C.

**D. Corner Supports (Inside & Outside)**

Used to Support Outside and Inside Corners

**E. #14 x 1-1/2" Universal Screw**

Four (4) Per Clip Top  
(Included & Required)

**F. 1-1/2" SS Ring Shank Nail**

Two (2) Per Clip Face  
Two (2) Per Joint Splice Face  
Two (2) Per Outside Corner Support Face  
One (1) Per Inside Corner Support Top  
(Included & Required)

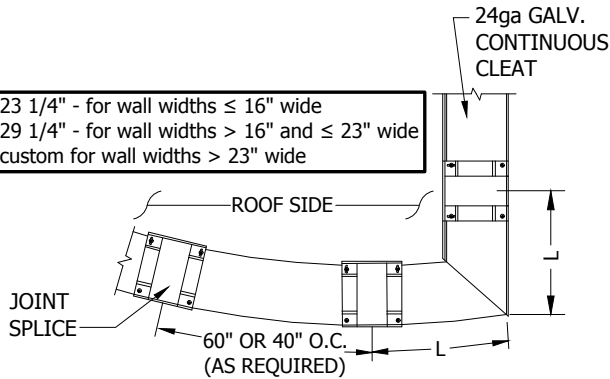
**G. Face / Outside Continuous Cleat**

Used in Between Each Clip

**H. Back / Inside Continuous Cleat**

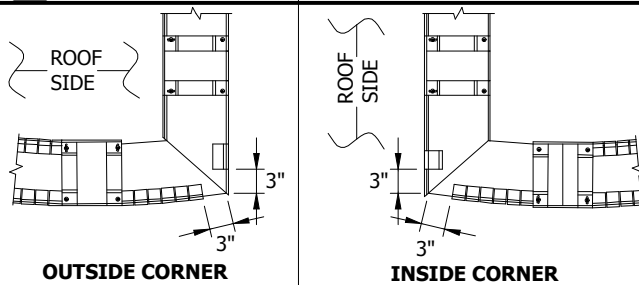
Used in Between Each Clip

L=23 1/4" - for wall widths ≤ 16" wide  
 L=29 1/4" - for wall widths > 16" and ≤ 23" wide  
 L=custom for wall widths > 23" wide



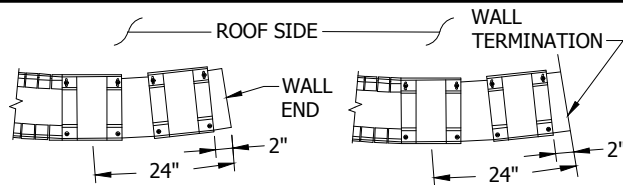
**STEP 1: Installing Anchor Clips at Corners & Along the Parapet**

Locate anchor clips as shown. Pull clips snugly against the outside face. Place four (4) screw fasteners in the top of the clip. Place two (2) SS ring shank nails in the clip face (outer holes). Position the joint splice over the center of the clip and install as shown using two (2) SS ring shank nails thru aligning holes. Joint splices should exist at ALL clip locations.



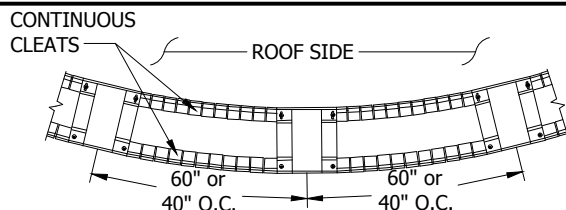
**STEP 2: Installing Cont. Cleats & Corner Supports At Corners**

Continuous cleats are to be placed at all corners to support the cap. Secure clips using fasteners provided. Field cut each cleat to fit approximately 3" from corner.



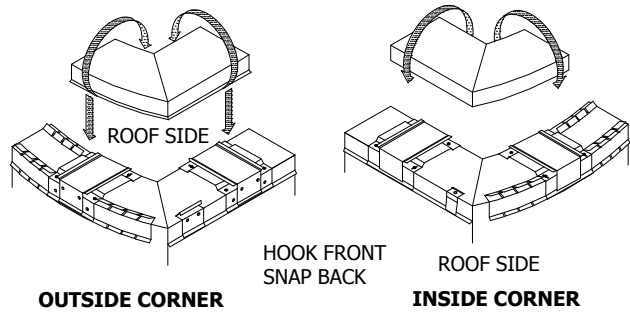
**STEP 3: Installing Continuous Cleats at Wall Ends**

Install the first anchor clip approximately 2" from the wall end as shown. Install the second anchor clip 24" on from the wall end. (If end cap leg is other than 24" adjust clip accordingly.) Start both front and back continuous cleats from second clip.



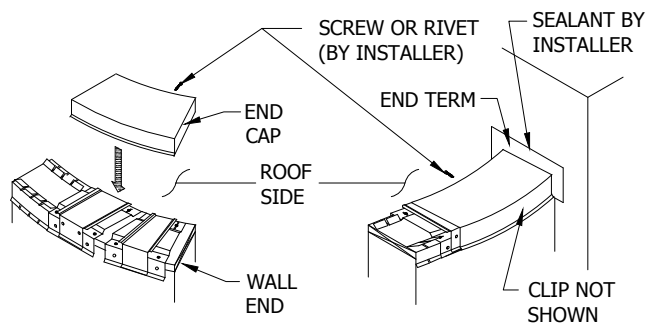
**STEP 4: Installing Radius Continuous Cleats**

Install face cleat snug against the wall and fasten through pre punched holes. Align roof side cleat with the clips on either side, ensure that the vertical leg of the clips and cleat are aligned. Fasten in place through pre punched holes. Field cut ALL cleats to fit in between clips.



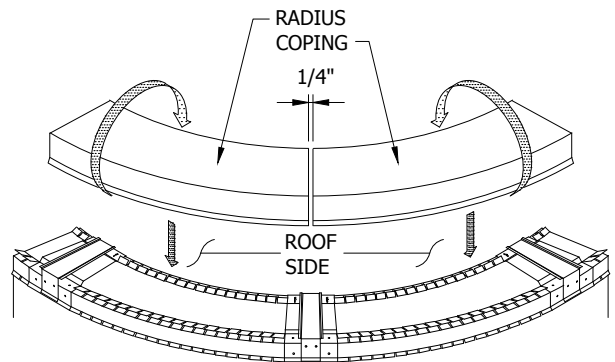
**STEP 5: Installing Radius to Straight Coping Mitters**

Hook the face of the coping miter over the outside face leg of the clips, rotate the coping miter over the top of the clips and snap the roof side leg by pressing down.



**STEP 6: Installing End Caps and End Terms**

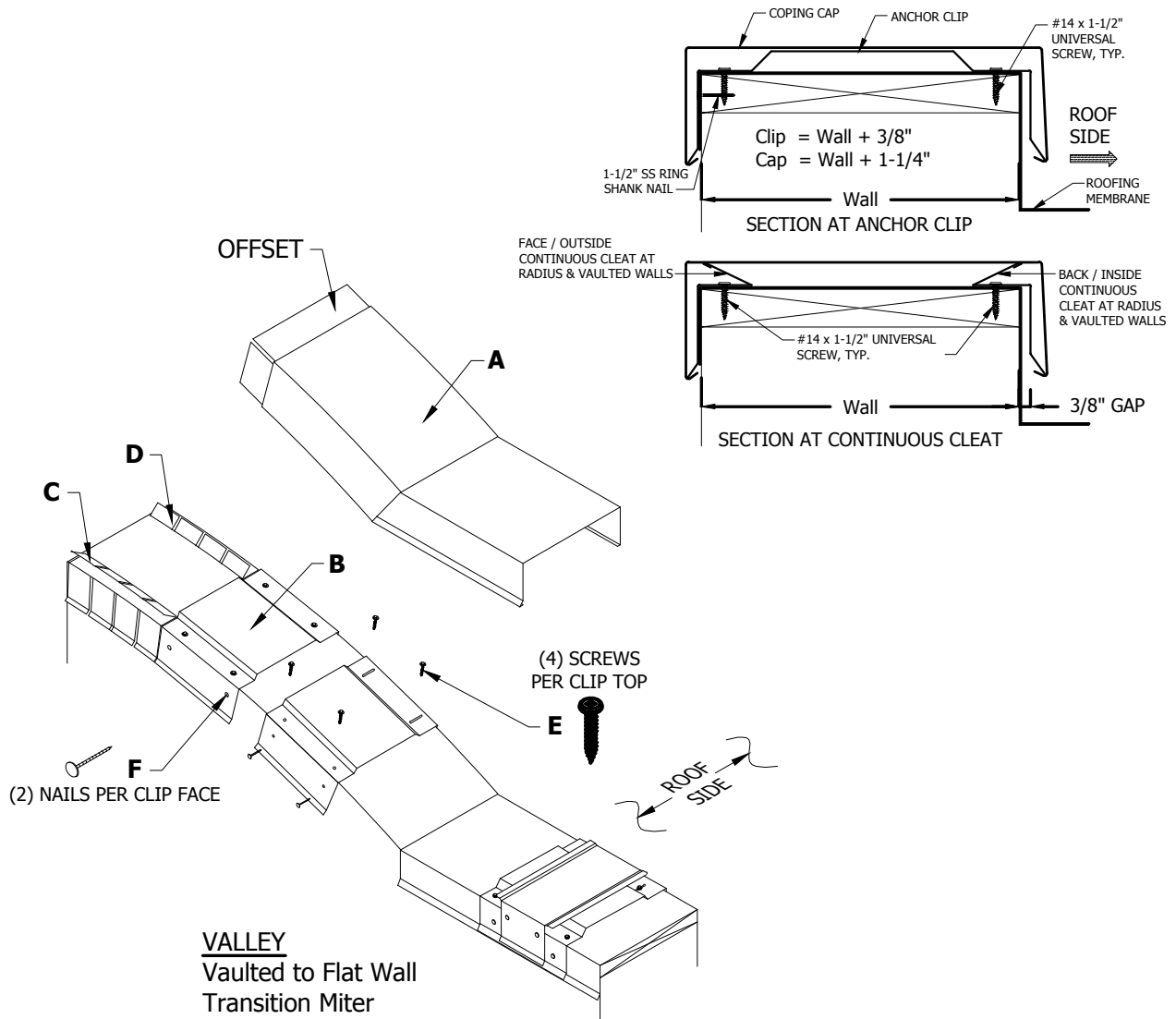
Install end caps and end terms by hooking the face and snapping the back into place. End caps must be restrained from moving by securing the end cap to the clip using a stainless steel screw or rivet (by installer) through the roof side leg of the end cap. End terms should be restrained similarly if no fasteners are previously installed in the end term wall flange.



**STEP 7: Installing Radius Coping Lengths**

Begin installing from the corners and ends working inward to the center. Allow a 1/4" gap between the coping sections for thermal expansion. Lengths of all radius pieces should be considered prior to cutting to avoid creating relatively short sections of cap adjacent to full length sections. There should be an anchor clip and joint splice at least every 60" O.C. (40" O.C. when wall is > 24" wide) and at every joint. Every fifth 60" section of coping should be secured to the clip using a single stainless steel screw or rivet (same procedure as STEP 5) to isolate movement within a containment zone.

## VAULTED PARAPET INSTALLATION



### **A. Vaulted Coping Cap**

60" Lengths Typ. (Lengths May Vary)

### **B. Galvanized Steel Anchor Clip**

6" or 12" Wide @:

6" ≤ Wall Width ≤ 24" Install @ 60" O.C.

24" < Wall Width ≤ 32" Install @ 40" O.C.

### **C. Face / Outside Continuous Cleat**

Used in Between Each Clip

### **D. Back / Inside Continuous Cleat**

Used in Between Each Clip

### **E. #14 x 1-1/2" Universal Screw**

Four (4) Per Clip Top  
(Included & Required)

### **F. 1-1/2" SS Ring Shank Nail**

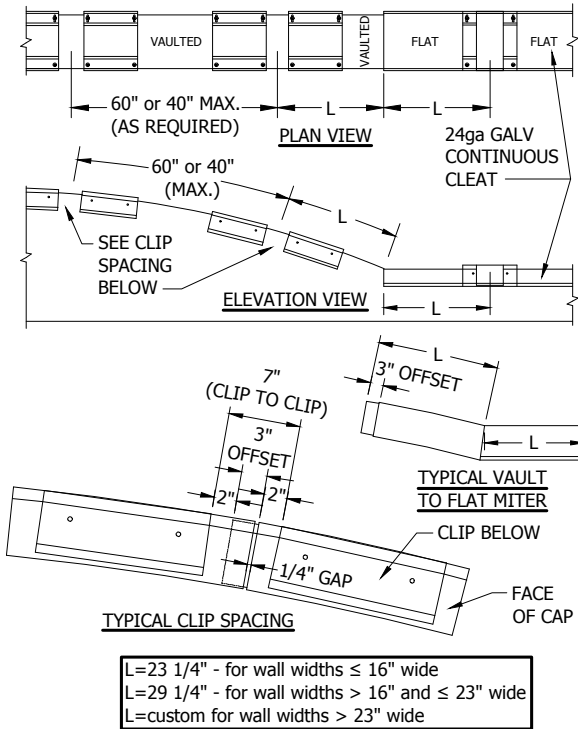
Two (2) Per Clip Face

Two (2) Per Outside Corner Support Face

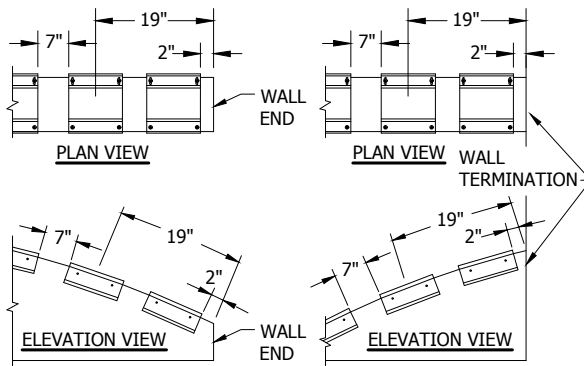
One (1) Per Inside Corner Support Top

(Included & Required)

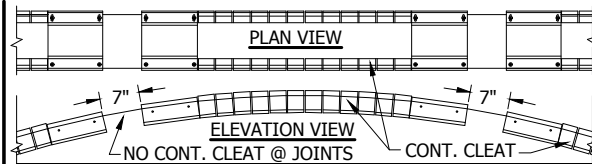




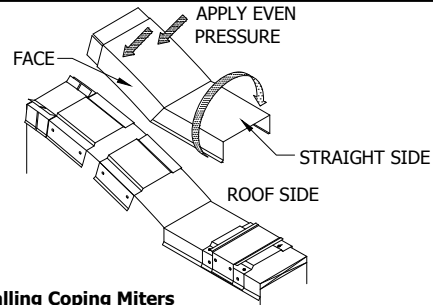
**STEP 1: Installing Anchor Clips at Valleys & Along the Parapet**  
 Locate anchor clips as shown. Pull clips snugly against the outside face. Place four (4) screw fasteners in the top of the clip with fasteners centered in slotted holes. Place two (2) SS ring shank nails in the clip face. DO NOT place anchor clip at joint locations, see diagrams above to determine anchor clip locations.



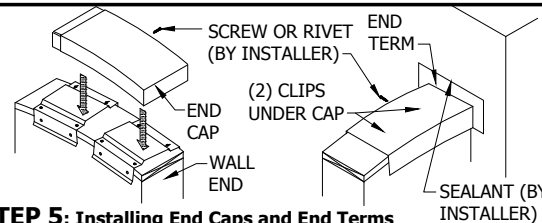
**STEP 2: Installing Anchor Clips at Wall Ends**  
 Install the first anchor clip approximately 2" from the wall end as shown. Install the second anchor clip 19" on center from the wall end. DO NOT place second clip at joint location. (If end cap leg is other than 30" adjust clip accordingly.) Install third anchor clip 7" from second as shown above.



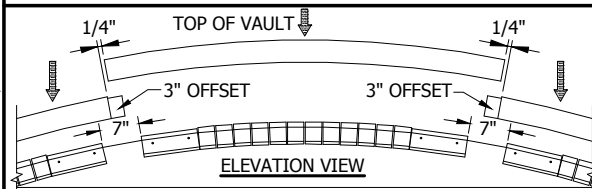
**STEP 3: Installing Vaulted Continuous Cleats**  
 Install face cleat snug against the wall and fasten through pre punched holes. Align roof side cleat with the clips on either side, ensure that the vertical leg of the clips and cleat are aligned. Fasten in place through pre punched holes. Field cut ALL cleats to fit in between clips.



**STEP 4: Installing Coping Miters**  
 Place miter over installed anchor clips at valleys. Hook the face on the straight side of the miter onto the clip. Rotate the miter over the top of the clip and snap the roof side leg by pressing down. Then apply even pressure to the vaulted legs of the miter until both legs are fully engaged on the clip.



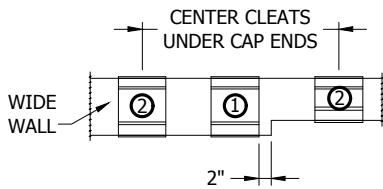
**STEP 5: Installing End Caps and End Terms**  
 Install end caps and end terms by placing the cap in the correct location over the anchor clips. Apply even pressure on both legs of the cap until both legs are fully engaged on anchor clips. End caps must be restrained from moving by securing the end cap to the clip using a stainless steel screw or rivet (by installer) through the roof side leg of the end cap. End terms should be restrained similarly if no fasteners are previously installed in the end term wall flange.



**STEP 6: Installing Vaulted Coping Lengths**  
 Begin installing from the valleys and the lower most part of the vaults at the wall ends working toward the upper/top of the vault. **Allow a 1/4" gap between the coping sections for thermal expansion.** Lengths of all vaulted pieces should be considered prior to cutting to avoid creating relatively short sections of cap adjacent to full length sections. There should be at least (2) two anchor clips under each coping cap (Clip spacing may vary). Every fifth 60" section of coping should be secured to the clip using a single stainless steel screw or rivet (same procedure as STEP 5) to isolate movement within a containment zone.

# SPECIAL CONDITION INSTALLATION

CLEATS ONLY SHOW FOR CLARITY.

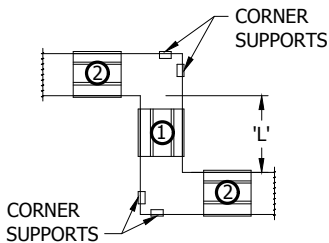


## INLINE TRANSITION

NOTE: Instructions are for face leg and back leg offsets.

STEPS:

1. Install cleat ① 2" from offset, only if wide wall cap leg length is longer than 20".
2. Install cleats ② centered under cap ends.

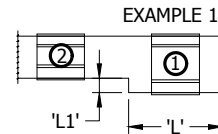


## 'Z' MITER

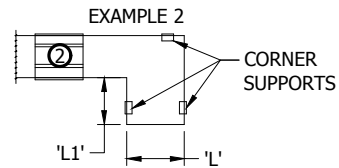
NOTE: Instructions work for face leg on either side.

STEPS:

1. Install cleat ① only if 'L' is longer than 14".
2. Install cleats ② centered under cap ends.
3. Install appropriate corner supports in designated areas.



EXAMPLE 1



EXAMPLE 2

CORNER SUPPORTS

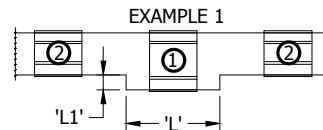
## PIER END TRANSITION

NOTE: Instructions are for face leg and back leg offsets.

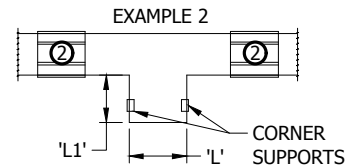
STEPS:

1. Install cleat ① only if 'L' is longer than 12". Else use corner support as shown.
2. For 'L1' cleats and corner supports, see below.
3. Install cleats ② centered under cap ends.

'L1' > 12"	'L1' < 12"
Install corner supports as shown in EXAMPLE 2	Install cleat as shown in EXAMPLE 1



EXAMPLE 1



EXAMPLE 2

CORNER SUPPORTS

## PIER INLINE TRANSITION

NOTE: Instructions are for face leg and back leg offsets.

STEPS:

1. Install cleat ① only if 'L' is longer than 12". Else use corner support as shown.
2. For 'L1' procedures see table below.
3. Install cleats ② centered under cap ends.

'L1' > 12"	'L1' < 12"
Install corner supports as shown in EXAMPLE 2	Install cleat as shown in EXAMPLE 1