



# Installation Guide for SafeGuard NP

4 COMMERCE WAY, ARDEN, NC 28704

(828) 676-1700

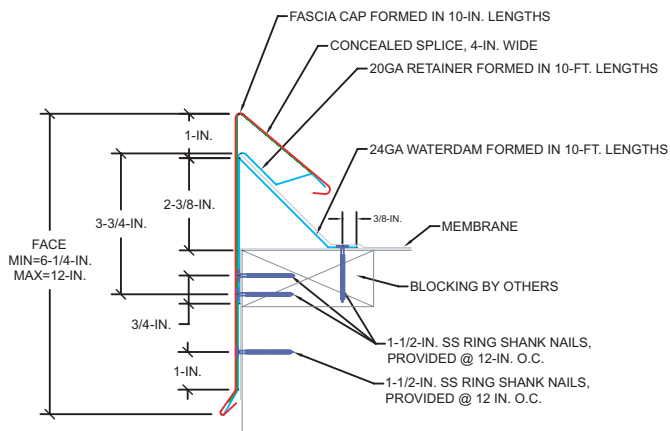
[HICKMANEDGESYSTEMS.COM](http://HICKMANEDGESYSTEMS.COM)



# Installation Guide for SafeGuard® NP Fascia

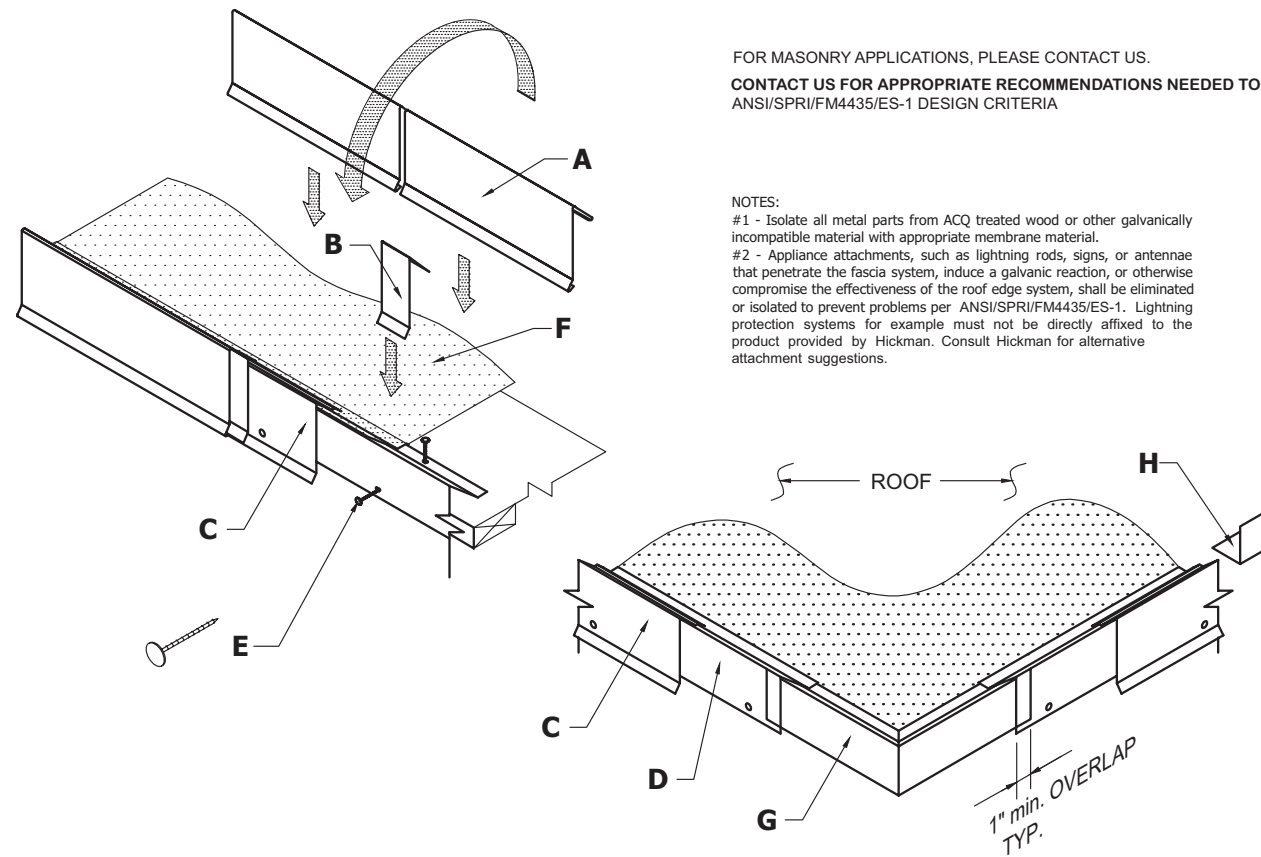
FM Approved CLASSIFIED UL ANSI/SPRI/FM4435/ES-1 TESTED

ANSI/SPRI/FM4435/ES-1 TEST PRESSURES UP TO 237 PSF (HORIZONTAL)



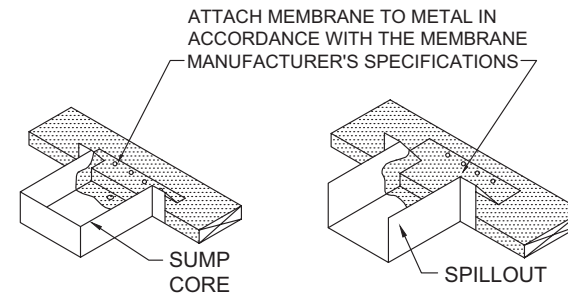
FOR MASONRY APPLICATIONS, PLEASE CONTACT US.  
CONTACT US FOR APPROPRIATE RECOMMENDATIONS NEEDED TO MEET/EXCEED ANSI/SPRI/FM4435/ES-1 DESIGN CRITERIA

NOTES:  
#1 - Isolate all metal parts from ACQ treated wood or other galvanically incompatible material with appropriate membrane material.  
#2 - Appliance attachments, such as lightning rods, signs, or antennae that penetrate the fascia system, induce a galvanic reaction, or otherwise compromise the effectiveness of the roof edge system, shall be eliminated or isolated to prevent problems per ANSI/SPRI/FM4435/ES-1. Lightning protection systems for example must not be directly affixed to the product provided by Hickman. Consult Hickman for alternative attachment suggestions.



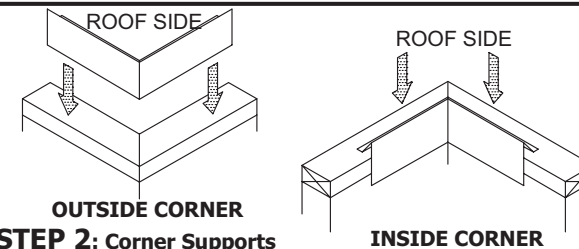
- A. Formed Fascia Cover**  
10'-0" Lengths
- B. Concealed Joint Splice**  
4" Lengths
- C. Formed Galvanized Retainer**  
10'-0" Lengths
- D. Formed Galvanized Waterdam**  
10'-0" Lengths

- E. 1-1/2" SS Ring Shank Nail**  
at 12"o.c. (6" from ends)  
(Included & Required)
- F. Built-up or Modified Bitumen Roofing**  
(By Installer)
- G. Corner Support (Outside)**  
At All Inside and Outside Corners
- H. Leveling Angle**  
Sets Proper Height for Waterdam



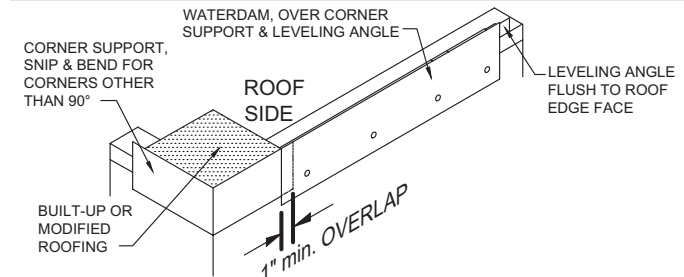
## STEP 1: Consider Sump Core & Spillout Locations

Locate sump cores where downspouts will be located. Sumps and spillouts are installed prior to the waterdam. The waterdam sections will install over the ears welded onto the sump and spillout core. Refer to "Spillout & Sump Core Install Guides" for more info on installation if necessary.



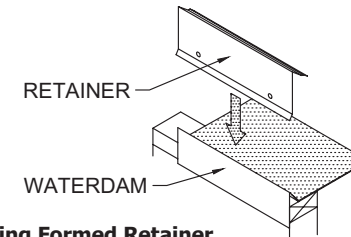
## STEP 2: Corner Supports

Locate waterdam corner supports at each corner location and fasten in place using 1-1/2" ss ring shank nails provided.



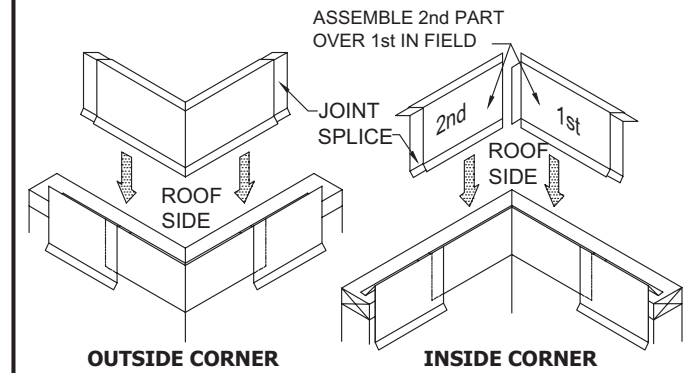
## STEP 3: Waterdam & Built-Up or Modified Bitumen Roofing

Install waterdam sections by overlapping the waterdam corner support by 1" min. and place a waterdam leveling angle under the opposite end. Fasten in place using 1-1/2" ss ring shank nails provided in each pre-punched hole. Waterdam should be installed from the corners working towards the center, butt adjacent sections together. Adhere the built-up or modified bitumen roofing to the cant side of the waterdam per roofing material manufacturer's instructions.



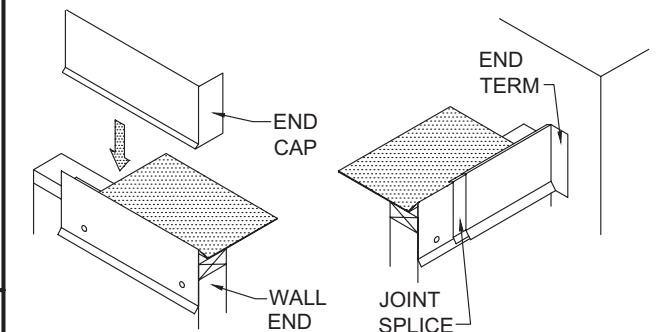
## STEP 4: Installing Formed Retainer

After the roofing ply has been adhered to the waterdam, install the retainer. Starting at the corner locations and working towards the center, fasten the retainer through each pre-punched hole using 1-1/2" ss ring shank nails provided.



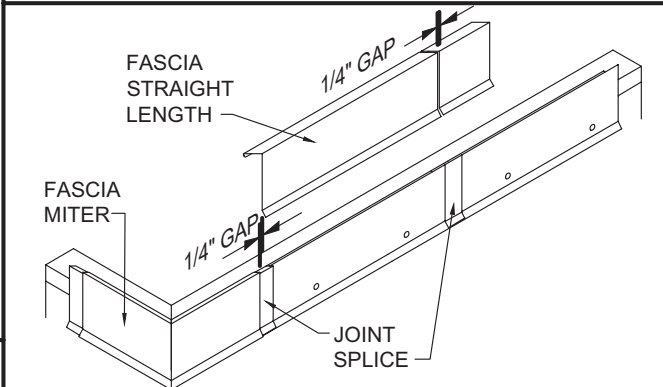
## STEP 5: Installing Fascia Miters

Locate the miters and concealed joint splices for the appropriate corners. Place a concealed joint splice in each end of the miter sections. Install the miter by hooking the back flange of the miter onto the back flange of the retainer and rotating the fascia outward towards the outside of the building. Press downward on the top until the fascia cover has snapped over the drip of the retainer. Ensure that both the drip and the back flange are fully engaged.



## STEP 6: Installing Fascia End Caps and End Terms

Install the fascia end caps and end terms by hooking the back flange, rotating outward, and then pressing downward on the top flange until fascia cover has snapped over the drip of the retainer. Ensure that both the drip and the back flange are fully engaged.

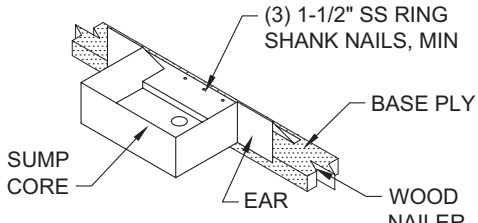
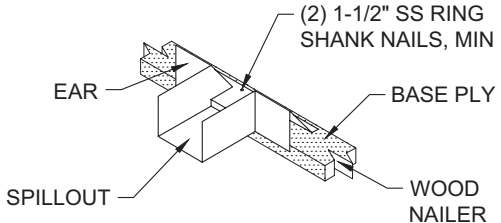
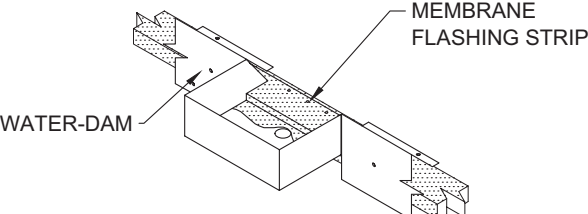
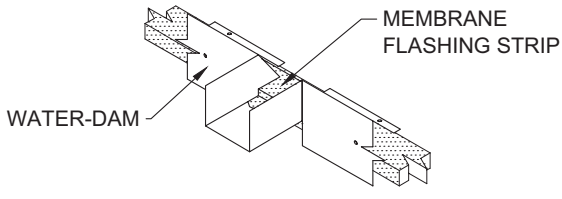
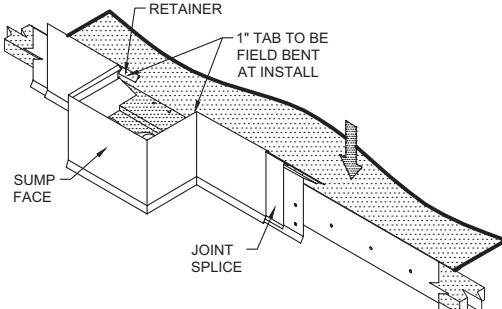
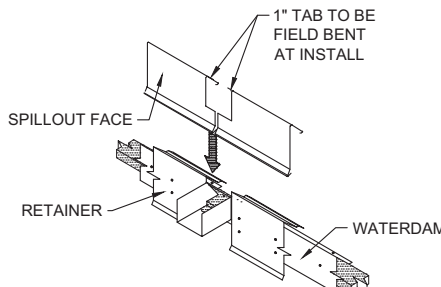


## STEP 7: Installing Fascia Straight Lengths

Place a concealed joint splice in the opposite end of the installed miter or end cap. Install the fascia by hooking the back flange of the fascia onto the back flange of the retainer and rotating the fascia outward. Press downward on the top until the fascia cover has snapped over the drip of the retainer. Ensure that both the drip and the back flange are fully engaged. **Allow a 1/4" gap between fascia sections for thermal expansion.** Review lengths of all straight pieces prior to cutting to avoid creating relatively short sections of fascia adjacent to full length sections. Note: there should be a joint splice at every joint.

NOTES:  
 #1 - Isolate all metal parts from ACQ treated wood or other galvanically incompatible material with appropriate membrane material.  
 #2 - Appliance attachments, such as lightning rods, signs, or antennae that penetrate the fascia system, induce a galvanic reaction, or otherwise compromise the effectiveness of the roof edge system, shall be eliminated or isolated to prevent problems per ANSI/SPRI/FM4435/ES-1. Lightning protection systems for example must not be directly affixed to the product provided by Hickman. Consult Hickman for alternative attachment suggestions.

# Installation Guide for SafeGuard® NP Fascia- Sump Cores & Spillouts

SUMP CORES	SPILLOUTS
 <p><b>STEP 1: Installing Sump Core</b>            Locate sump cores where downspouts will be located. Sump cores are installed prior to the water-dam. Fasten sump core to the wood nailer with a min of (3) 1-1/2" ss ring shank nails.</p>	 <p><b>STEP 1: Installing Spillouts</b>            Spillouts are installed at predetermined locations. Spillouts are installed prior to the water-dam. Fasten spillout to the wood nailer with a min of (2) 1-1/2" ss ring shank nails.</p>
 <p><b>STEP 2: Installing Water-Dam at Sump Core</b>            Install the water-dam over the ears on the sump core. Nail the water-dam as shown in STEP 3 on page 2. Apply membrane flashing strip up the back side of the water-dam and into the sump core as required by membrane manufacturer's specifications. Splice and seal the membrane in and around the sump core in accordance with membrane manufacturer's specifications.</p>	 <p><b>STEP 2: Installing Water-Dam at Spillouts</b>            Install the water-dam over the ears on the spillout. Apply membrane flashing strip up back side of water-dam and into the spillout as required by membrane manufacturer's specifications. Splice and seal the membrane in and around the spillout in accordance with membrane manufacturer's specifications. (DON'T LEAVE ANY SHARP EDGES AGAINST THE MEMBRANE.)</p>
 <p><b>STEP 3: Installing Sump face</b>            After the roofing ply has been adhered to the waterdam, install the retainer. Place a concealed joint splice in each end of sump face. Install the fascia by pressing downward on the top flange until the sump face has snapped over the kickout of the retainer and the back flange of the retainer simultaneously. Field bend the factory tabs on the sides of the Sump Core. Proceed to complete installation.</p>	 <p><b>STEP 3: Installing Spillout face</b>            After the roofing ply has been adhered to the waterdam, install the retainer. Place a concealed joint splice in each end of spillout face. Install the fascia by pressing downward on the top flange until the spillout face has snapped over the kickout of the retainer and the back flange of the retainer simultaneously. Field bend the factory tabs on sides of Spillout Face. Proceed to complete installation.</p>